





Learn more about
this product



Your Gateway to Efficient Connectivity

A high-quality 2.5 m long, shielded 9-pin J1939-13 Type II to 9-pin DSUB cable. This halogen-free, flame-retardant CAN-bus cable provides reinforced strain relief for both connectors, essential for repeat connections in harsh environments. The Type II connector is used for trucks, buses and other heavy-duty vehicles and is compatible with older models where Type I sockets are used.

 **Warranty**
2-Year warranty. See our general conditions and policies for details.

 **Support**
Free support for all products by contacting support@kvaser.com

 **EAN**
73-30130-01408-4

Major Features

- Standard 9-pin DSUB connector
- M12 5-pin A-code connector
- 300 mm (0.98 ft) long cable made of durable thermoplastic rubber.
- Compatible with J1939, CANopen, NMEA 2000® and DeviceNet. Higher layer protocol translation handled by the user's application. For software support please see our Technical Associates products and our Software Download page (www.kvaser.com).

Support

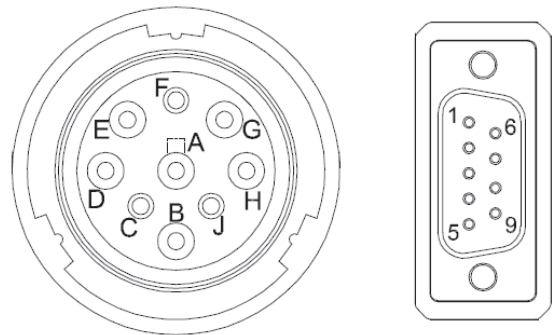
Documentation, Kvaser CANlib SDK and drivers can be downloaded for free at www.kvaser.com/downloads.

Kvaser CANlib SDK is a free resource that includes everything you need to develop software for the Kvaser CAN interfaces. Includes full documentation and many program samples, written in C, C++, C#, Delphi, Visual Basic, Python and t programming language.

Kvaser CAN hardware is built around the same common software API. Applications developed using one device type will run without modification on other device types.

Technical Data

CAN Channels	1
Certificates	CE, RoHS
Connector	J1939-13 Type II DSUB9 socket
Length	2500 mm
Material	Durable thermoplastic rubber
Operating Temperature Range	-40 to +85 °C
Strain Relief	Reinforced
Weight	170 g



J1939-13 Type II	Signal Name	DSUB9
A	GND	3
B	V+	9
C	CAN_H	7
D	CAN_L	2
E	SHIELD	5+Shell