



Learn more about  
this product



## Your Gateway to Efficient Connectivity

The Kvaser Cable HD26-4xM12 Splitter can be used with several of Kvaser's four channel products. This 0.3 m (0.98 ft) long splitter has a standard 26 pin HD D-SUB connector at one end, and four 5 pin M12 connectors (A-coded) at the other.



### Warranty

2-Year warranty. See our general conditions and policies for details.



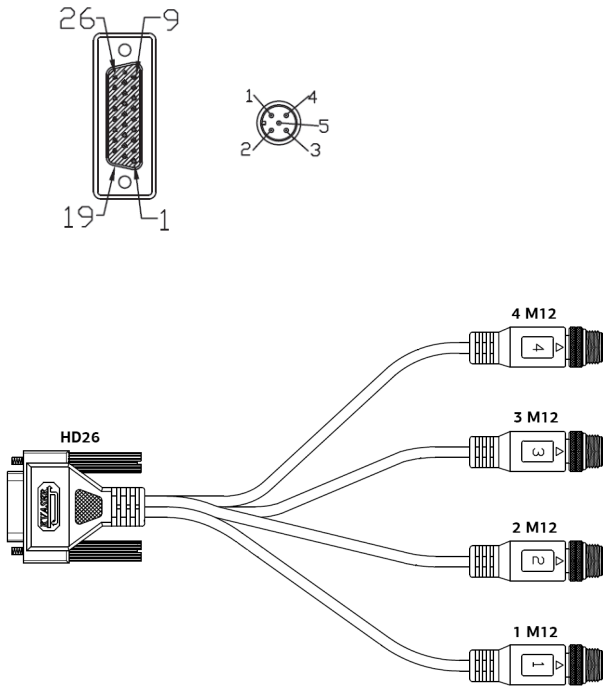
### Support

Free support for all products by contacting [support@kvaser.com](mailto:support@kvaser.com)



### EAN

73-30130-01412-1



## Technical Data

<b>CAN Channels</b>	4
<b>CAN Connector</b>	26 pin HD D-SUB socket connector Four M12-5P, A-coded connector
<b>Certifications</b>	CE, RoHS
<b>Length</b>	300 mm
<b>Material</b>	Polyuretan
<b>Operating Temperature Range</b>	-40 to +85 °C
<b>Weight</b>	100 g

HD26	1 M12	2 M12	3 M12	4 M12	Function
1	5				CANL 1
2		5			CANL 2
3			5		CANL 3
4				5	CANL 4
11	4				CANH 1
12		4			CANH 2
13			4		CANH 3
14				4	CANH 4
19	3				GND 1
20		3			GND 2
21			3		GND 3
22				3	GND 4
SHELL	SHELL+1	SHELL+1	SHELL+1	SHELL+1	Shield