



Learn more about  
this product



## Your Gateway to Efficient Connectivity

With a standard 9-pin DSUB at one end and a NMEA compatible 5-pin connector at the other, this 30 cm cable connects the Kvaser Leaf v3 or any CAN interface to equipment using the NMEA compatible connector, typically a marine electronics system. Kvaser's adapter cables have a high quality, ruggedised construction that meet the IP67 standard for water and dust ingress.



### Warranty

2-Year warranty. See our general conditions and policies for details.



### Support

Free support for all products by contacting [support@kvaser.com](mailto:support@kvaser.com)



### EAN

73-30130-01490-9

## Major Features

- Standard 9-pin DSUB connector
- M12 5-pin A-code connector
- 300 mm (0.98 ft) long cable made of durable thermoplastic rubber.
- Compatible with J1939, CANopen, NMEA 2000® and DeviceNet. Higher layer protocol translation handled by the user's application. For software support please see our Technical Associates products and our Software Download page ([www.kvaser.com](http://www.kvaser.com)).

## Support

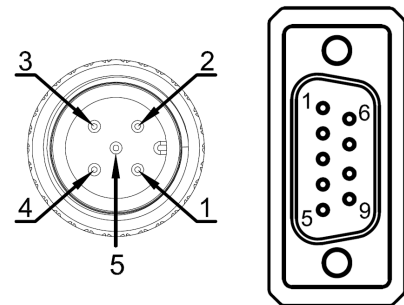
Documentation, Kvaser CANlib SDK and drivers can be downloaded for free at [www.kvaser.com/downloads](http://www.kvaser.com/downloads).

Kvaser CANlib SDK is a free resource that includes everything you need to develop software for the Kvaser CAN interfaces. Includes full documentation and many program samples, written in C, C++, C#, Delphi, Visual Basic, Python and t programming language.

Kvaser CAN hardware is built around the same common software API. Applications developed using one device type will run without modification on other device types.

## Technical Data

<b>CAN Channels</b>	1
<b>Certificates</b>	CE, RoHS
<b>Connector</b>	M12 5-pin A-code DSUB9 socket
<b>Length</b>	300 mm
<b>Material</b>	Durable thermoplastic rubber
<b>Operating Temperature Range</b>	-40 to +85 °C
<b>Strain Relief</b>	Reinforced
<b>Weight</b>	52 g



5-pos M12	Signal Name	DSUB9
3	GND	3
2	V+	9
4	CAN_H	7
5	CAN_L	2
1	SHIELD	5+Shell