





Learn more about
this product



Your Gateway to Efficient Connectivity

With a standard 9-pin DSUB at one end and a NMEA compatible 5-pin connector at the other, this 30 cm cable connects the Kvaser Leaf v3 or any CAN interface to equipment using the NMEA compatible connector, typically a marine electronics system. Kvaser's adapter cables have a high quality, ruggedised construction that meet the IP67 standard for water and dust ingress.

 **Warranty**
2-Year warranty. See our general conditions and policies for details.

 **Support**
Free support for all products by contacting support@kvaser.com

 **EAN**
73-30130-01490-9

Major Features

- Standard 9-pin DSUB connector
- M12 5-pin A-code connector
- 300 mm (0.98 ft) long cable made of durable thermoplastic rubber.
- Compatible with J1939, CANopen, NMEA 2000® and DeviceNet. Higher layer protocol translation handled by the user's application. For software support please see our Technical Associates products and our Software Download page (www.kvaser.com).

Support

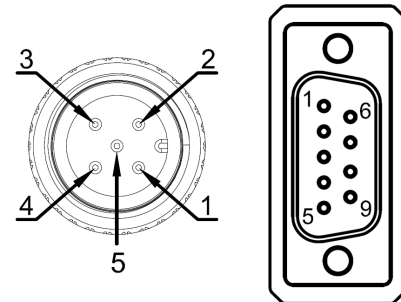
Documentation, Kvaser CANlib SDK and drivers can be downloaded for free at www.kvaser.com/downloads.

Kvaser CANlib SDK is a free resource that includes everything you need to develop software for the Kvaser CAN interfaces. Includes full documentation and many program samples, written in C, C++, C#, Delphi, Visual Basic, Python and t programming language.

Kvaser CAN hardware is built around the same common software API. Applications developed using one device type will run without modification on other device types.

Technical Data

CAN Channels	1
Certificates	CE, RoHS
Connector	M12 5-pin A-code DSUB9 socket
Length	300 mm
Material	Durable thermoplastic rubber
Operating Temperature Range	-40 to +85 °C
Strain Relief	Reinforced
Weight	52 g



5-pos M12	Signal Name	DSUB9
3	GND	3
2	V+	9
4	CAN_H	7
5	CAN_L	2
1	SHIELD	5+Shell