

# Kvaser Air Bridge Light HS User's Guide



Copyright 2019 Kvaser AB, Mölndal, Sweden  
<https://www.kvaser.com>

Printed Tuesday 8<sup>th</sup> October, 2019

We believe that the information contained herein was accurate in all respects at the time of printing. Kvaser AB cannot, however, assume any responsibility for errors or omissions in this text. Also note that the information in this document is subject to change without notice and should not be construed as a commitment by Kvaser AB.

(This page is intentionally left blank.)

## Contents

<b>1</b>	<b>About this manual</b>	<b>4</b>
<b>2</b>	<b>Introduction</b>	<b>5</b>
2.1	Welcome to Kvaser Air Bridge Light HS . . . . .	5
2.2	Major Features . . . . .	6
<b>3</b>	<b>Kvaser Air Bridge Light HS hardware</b>	<b>7</b>
3.1	Hardware installation . . . . .	7
3.2	CAN channel . . . . .	7
3.3	Power supply . . . . .	7
3.4	LED Indicators . . . . .	8
3.5	Auto Baudrate Detection . . . . .	8
<b>4</b>	<b>Appendices</b>	<b>10</b>
4.1	Technical data . . . . .	10
4.2	CAN Connector . . . . .	11
<b>5</b>	<b>Disposal and Recycling Information</b>	<b>12</b>
<b>6</b>	<b>Legal acknowledgements</b>	<b>13</b>
6.1	Usage warning . . . . .	13
6.2	EU Regulatory Compliance . . . . .	14
6.3	FCC Regulatory Compliance . . . . .	15
6.4	Patents, Copyrights and Trademarks . . . . .	16
<b>7</b>	<b>Document Revision History</b>	<b>17</b>

## **1 About this manual**

This manual is intended for Kvaser Air Bridge Light HS users. This document contains a description of the hardware's properties and general instructions on how to use the Kvaser Air Bridge Light HS.

## 2 Introduction

This section describes the functions and features of the Kvaser Air Bridge Light HS.

### 2.1 Welcome to Kvaser Air Bridge Light HS



Figure 1: Kvaser Air Bridge Light HS

Kvaser Air Bridge Light HS is a small, yet advanced, wireless CAN bridge that can be used as a CAN system gateway between two CAN networks. The Kvaser Air Bridge Light HS consists of a preconfigured pair of plug and play units.

This guide applies to Kvaser Air Bridge Light HS devices listed in Table 1.

Device	Product Number
Kvaser Air Bridge Light HS	73-30130-00808-3
Kvaser Air Bridge Light HS (FCC)	73-30130-01008-6

Table 1: Kvaser Air Bridge Light HS devices and their EAN numbers.

The (00808-3) Kvaser Air Bridge Light HS is approved for the European Union, while (01008-6) Kvaser Air Bridge Light HS (FCC) is optimized for the US. They both share the same functionality but have different radio transmitting schemes due to regulatory differences.

Throughout this document, we use the name Kvaser Air Bridge Light HS to mean any one of the different Kvaser Air Bridge Light HS products listed in Table 1, unless otherwise stated.

## 2.2 Major Features

- A preconfigured pair of units that acts as a wireless CAN system gateway between two CAN networks.
- 2.4 GHz proprietary protocol.
- Point to point radio link.
- Internal antenna design, antenna output power max 18 dBm.
- Automatic baudrate detection (125K, 250K, 500K, 1M).
- Supports both 11-bit (CAN 2.0A) and 29-bit (CAN 2.0B active) identifiers.
- High-Speed CAN connection (compliant with ISO 11898-2), up to 1 Mbit/s.
- Power supplied through the CAN bus interface.
- Rugged aluminum housing.
- Plug and play, driver free, and configuration free.

## 3 Kvaser Air Bridge Light HS hardware

In this section you can read more about the CAN channel, power supply and LED indicators.

### 3.1 Hardware installation

The Kvaser Air Bridge Light HS consists of two preconfigured and paired CAN bus units. Just connect and power them through your CAN system, no user configuration, software tools or drivers are required.

When connected to your system, the two units will determine the bit rate used by the attached CAN buses using Auto Baudrate Detection (see Section 3.5, Auto Baudrate Detection, on Page 8). Once the Auto Baudrate Detection has completed successfully, the units will transmit CAN messages back and forth until the units are powered down.

The Kvaser Air Bridge Light HS will only forward CAN messages between the two attached CAN networks. Error frames and arbitration information will not be forwarded since this information is only applicable for the local physical network.

### 3.2 CAN channel

The Kvaser Air Bridge Light HS has one CAN Hi-Speed channel with a 9-pin D-SUB CAN connector. See Section 4.2, CAN Connector, on Page 11 for details about the pinout.

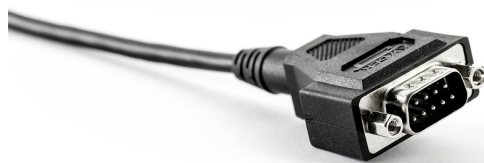


Figure 2: 9-pin D-SUB CAN connector

### 3.3 Power supply

The Kvaser Air Bridge Light HS is powered through the CAN connector. To operate the Kvaser Air Bridge Light HS, you **must** supply 9 V-36 V DC power through the CAN connector.

### 3.4 LED Indicators

The functions of the LED indicators on the Kvaser Air Bridge Light HS are shown in Table 2 on Page 8.



Figure 3: LEDs on the Kvaser Air Bridge Light HS.

LED	Description
CAN (Yellow)	CAN channel status, indicate received and sent messages.
RF (Blue)	Radio Link status, indicate received radio packets.
POWER (Green)	Power indicates that the unit has been powered on.

Table 2: LEDs on the Kvaser Air Bridge Light HS.

### 3.5 Auto Baudrate Detection

The Kvaser Air Bridge Light HS provides an Auto Baudrate Detection feature which will automatically detect and connect to any of the following CAN network speeds: 1 Mbit/s, 500 Kbit/s, 250 Kbit/s, and 125 Kbit/s.

The Auto Baud Rate Detection is done locally, so a Kvaser Air Bridge Light HS can be used to bridge two different CAN networks operating at different bitrates. However, the amount of traffic on the networks will determine whether the system designer should allow the networks to be bridged via the Kvaser Air Bridge Light HS.



The Auto Baud Rate Detection is driven by the reception of CAN messages on the CAN network. This means that there needs to be existing CAN traffic on the network for the Auto Baud Rate Detection to work.



If, after 15 seconds of power on, only one of the paired units have done a successful Auto Baud Detection, the other unit will be configured to the same baud rate. The Auto Baud Rate Detection will continue even after 15 seconds, if no baudrate has been detected on either of the connected CAN networks.



If the Kvaser Air Bridge Light HS is used to bridge two different CAN networks operating at different bitrates, both CAN networks needs to send messages during the initial 15 seconds after power on in order for the Auto Baud Rate Detection to correctly detect the different bitrates.

For any additional/specific baudrate requirement, please contact Kvaser for more info.

## 4 Appendices

In this section you will find technical information about the Kvaser Air Bridge Light HS.

### 4.1 Technical data

In Table 3 below you will find the Kvaser Air Bridge Light HS's technical specifications. The physical dimensions are given in Figure 4 on Page 11.

CAN Channels	1
CAN Transceivers	TJA1051T (Compliant with ISO 11898-2)
CAN Controller	Built into the processor
CAN Bit Rate	Autobaud at 1 Mbit/s, 500 Kbit/s, 250 Kbit/s, and 125 Kbit/s
Max message rate	Approx. 1200 msg/s full duplex
Packet Latency	Approx. 4.8 ms
Wireless Communication	2.4 GHz Gaussian Frequency-Shift Keying (GFSK) with Frequency Hopping Spread Spectrum (FHSS) modulation
Frequency Range	2.405 GHz to 2.477 GHz
Antenna Type	Internal antennas
Antenna Output Power	Max 18 dBm
External Power	Allowed operating voltage 9 V-36 V DC, maximum input voltage 48 V DC
Power Consumption	Approx. 2 W
Hardware Configuration	Plug and play
IP Rating	IP 65
Operating temperature	-40 °C to +70 °C

Table 3: Technical Specifications.

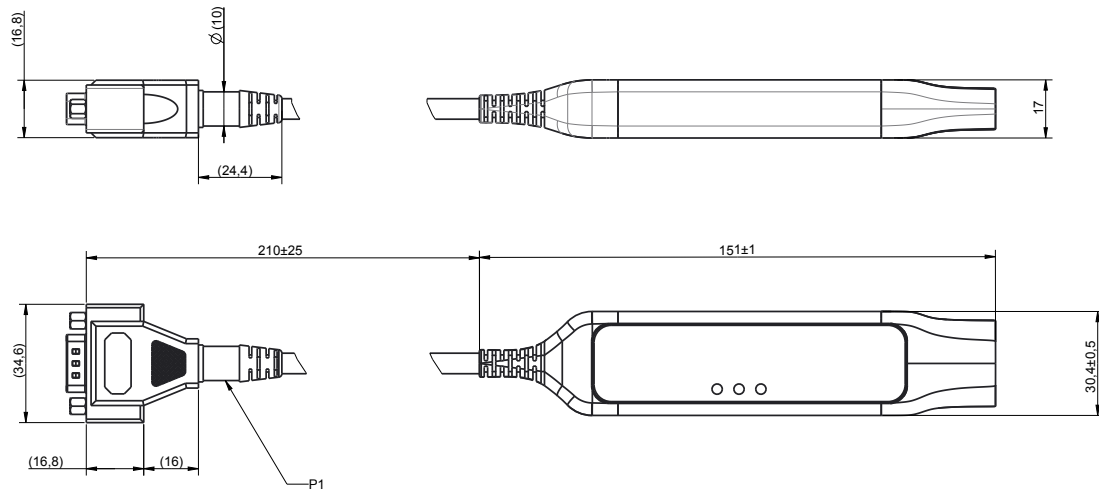


Figure 4: Physical dimensions of the Kvaser Air Bridge Light HS

## 4.2 CAN Connector

The Kvaser Air Bridge Light HS offers a 9-pin D-SUB connector. In order to use the Kvaser Air Bridge Light HS as a wireless CAN system gateway, you must supply power on each respective CAN side.

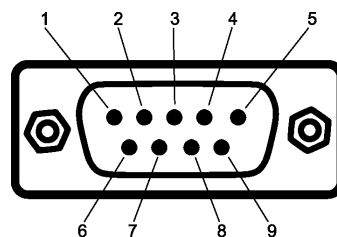


Figure 5: The D-SUB 9 connector pin numbers

D-SUB pin number	Function
1	Not connected
2	CAN_L
3	GND
4	Reserved
5	Shield
6	Not connected
7	CAN_H
8	Not connected
9	Power supply to the device

Table 4: Configuration of the 9-pin D-SUB

## 5 Disposal and Recycling Information



When this product reaches its end of life, please dispose of it according to your local environmental laws and guidelines.

For information about Kvaser's recycling programs, visit:  
<https://www.kvaser.com/en/kvaser/recycling-policy.html>

## 6 Legal acknowledgements

### 6.1 Usage warning



#### **WARNING FOR ALL USERS**

WARNING! - YOUR USE OF THIS DEVICE MUST BE DONE WITH CAUTION AND A FULL UNDERSTANDING OF THE RISKS!

THIS WARNING IS PRESENTED TO INFORM YOU THAT THE OPERATION OF THIS DEVICE MAY BE DANGEROUS. YOUR ACTIONS CAN INFLUENCE THE BEHAVIOR OF A CAN-BASED DISTRIBUTED EMBEDDED SYSTEM, AND DEPENDING ON THE APPLICATION, THE CONSEQUENCES OF YOUR IMPROPER ACTIONS COULD CAUSE SERIOUS OPERATIONAL MALFUNCTION, LOSS OF INFORMATION, DAMAGE TO EQUIPMENT, AND PHYSICAL INJURY TO YOURSELF AND OTHERS. A POTENTIALLY HAZARDOUS OPERATING CONDITION IS PRESENT WHEN THE FOLLOWING TWO CONDITIONS ARE CONCURRENTLY TRUE: THE PRODUCT IS PHYSICALLY INTERCONNECTED TO A REAL DISTRIBUTED EMBEDDED SYSTEM; AND THE FUNCTIONS AND OPERATIONS OF THE REAL DISTRIBUTED EMBEDDED SYSTEM ARE CONTROLLABLE OR INFLUENCED BY THE USE OF THE CAN NETWORK. A POTENTIALLY HAZARDOUS OPERATING CONDITION MAY RESULT FROM THE ACTIVITY OR NON-ACTIVITY OF SOME DISTRIBUTED EMBEDDED SYSTEM FUNCTIONS AND OPERATIONS, WHICH MAY RESULT IN SERIOUS PHYSICAL HARM OR DEATH OR CAUSE DAMAGE TO EQUIPMENT, DEVICES, OR THE SURROUNDING ENVIRONMENT.

WITH THIS DEVICE, YOU MAY POTENTIALLY:

- CAUSE A CHANGE IN THE OPERATION OF THE SYSTEM, MODULE, DEVICE, CIRCUIT, OR OUTPUT.
- TURN ON OR ACTIVATE A MODULE, DEVICE, CIRCUIT, OUTPUT, OR FUNCTION.
- TURN OFF OR DEACTIVATE A MODULE, DEVICE, CIRCUIT, OUTPUT, OR FUNCTION.
- INHIBIT, TURN OFF, OR DEACTIVATE NORMAL OPERATION.
- MODIFY THE BEHAVIOR OF A DISTRIBUTED PRODUCT.
- ACTIVATE AN UNINTENDED OPERATION.
- PLACE THE SYSTEM, MODULE, DEVICE, CIRCUIT, OR OUTPUT INTO AN UNINTENDED MODE.

ONLY THOSE PERSONS WHO:

(A) ARE PROPERLY TRAINED AND QUALIFIED WITH RESPECT TO THE USE OF THE DEVICE,

(B) UNDERSTAND THE WARNINGS ABOVE, AND

(C) UNDERSTAND HOW THIS DEVICE INTERACTS WITH AND IMPACTS THE FUNCTION AND SAFETY OF OTHER PRODUCTS IN A DISTRIBUTED SYSTEM AND THE APPLICATION FOR WHICH THIS DEVICE WILL BE APPLIED, MAY USE THE DEVICE.

PLEASE NOTE THAT YOU CAN INTEGRATE THIS PRODUCT AS A SUBSYSTEM INTO HIGHER-LEVEL SYSTEMS. IN CASE YOU DO SO, KVASER AB HEREBY DECLARES THAT KVASER AB'S WARRANTY SHALL BE LIMITED TO THE CORRECTION OF DEFECTS, AND KVASER AB HEREBY EXPRESSLY DISCLAIMS ANY LIABILITY OVER AND ABOVE THE REFUNDING OF THE PRICE PAID FOR THIS DEVICE, SINCE KVASER AB DOES NOT HAVE ANY INFLUENCE ON THE IMPLEMENTATIONS OF THE HIGHER-LEVEL SYSTEM, WHICH MAY BE DEFECTIVE.

## 6.2 EU Regulatory Compliance

Applies to Kvaser Air Bridge Light HS 73-30130-00808-3



### EU Declaration of Conformity (DoC)

**We**

Company Name:	Kvaser AB	City:	Mölndal
Postal address:	Aminogatan 25	Telephone number:	+46 31 886344
Postcode:	431 53	E-mail address:	sales@kvaser.com

**declare that the DoC is issued under our sole responsibility and belongs to the following product:**

Product: Kvaser Air Bridge Light HS

**Object of the declaration** (identification of apparatus allowing traceability):

Product: Kvaser Air Bridge Light HS

Type: 73-30130-00808-3

**The object of the declaration described above is in conformity with the relevant Union harmonisation legislation:**

Radio Equipment Directive (RED) 2014/53/EU (Art. 3.1a, 3.1b and 3.2)

RoHS recast Directive 2011/65/EU (Art. 4.1)

**The following harmonised standards and technical specifications have been applied**

(title, date of standard/specification):

EN 203 367 (2016-03 (1.1.0))	EN 300 328 (2016-11 (2.1.1))
EN 301 489-1 (2016-11 (2.1.1))	EN 301 489-17 (2016 (3.1.1))
EN 55032 (2012)	EN 62 368-1 (2014 + AC1:2015)
EN 50581 (2012)	

**Signed for and on behalf of:**

Mölndal	2018-10-04	
Place of issue	Date of issue	Claes Haglund, Supply Chain and Quality director

## 6.3 FCC Regulatory Compliance

Applies to Kvaser Air Bridge Light HS (FCC) 73-30130-01008-6.



### Federal Communications Commission (FCC) Compliance Information Statement

**IDENTIFICATION OF OBJECT:**

**Product: Kvaser Air Bridge Light HS**  
**Type: 73-30130-01008-6**

**APPLICABLE COMPLIANCE STATEMENTS:**

**CFR Titel 47 Part 15 §15.107, §15.109**

**This device complies with part 15 of the FCC Rules.**

**Operation is subject to the following two conditions:**

**(1) This device may not cause harmful interference, and (2) this device must accept any interference received, including interference that may cause undesired operation.**

**RESPONSIBLE PARTY (IN USA) NAME:**

**Kvaser Inc.**  
**23881 Via Fabricante, Suite 503**  
**Mission Viejo, CA 92691**

**Internet contact: support@kvaser.com**

## **6.4 Patents, Copyrights and Trademarks**

All trademarks are the property of their respective owner. Windows is a registered trademark of Microsoft Corporation in the United States and other countries.

Adobe, the Adobe logo, and Reader are either registered trademarks or trademarks of Adobe Systems Incorporated in the United States and/or other countries.

DeviceNet is a trademark of Open DeviceNet Vendor Association, Inc.

NMEA 2000 is the registered trademark of the National Marine Electronics Association, Inc.

For information about Kvaser related CAN patents, see [www.kvaser.com/patent](http://www.kvaser.com/patent).

The products described in this document are protected by U.S. patent 5,696,911.



## 7 Document Revision History

Version history for document UG\_98208\_air\_bridge\_light\_hs:

Revision	Date	Changes
1.0	2018-09-04	Initial version
2.0	2018-11-22	Corrected IP Rating and operating temperature, updated EU Regulatory Compliance.
2.1	2018-12-06	Clarified CAN Bit Rate.
2.2	2019-08-09	Url protocol updated